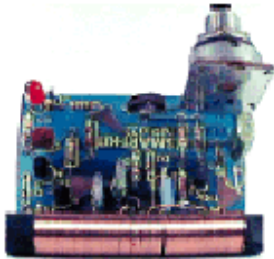

QUASAR ELECTRONICS KIT No. 1022 METAL DETECTOR



General Description

This is a reverberation unit which uses a spring line in order to create the sense of depth desired. It can be connected to any existing system between the preamplifier and final amplifier and the reverberation effect is adjustable. The circuit also features a set of tone controls which only affect the reverberating signal, but have no effect if the reverberation is turned off.

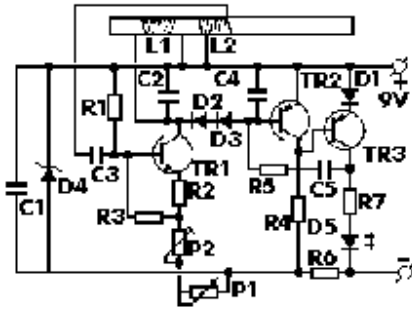
Technical Specifications - Characteristics

Working voltage: 9V DC

How it Works

As you can see from the diagram the circuit consists of three transistors. The first transistor is used as an oscillator which by means of the two P1 and P2 is kept at the verge of oscillation. The balance however is so delicate that when a metal object is brought close to the coils it disturbs it and the oscillator starts working. The output signal of the oscillator is detected by TR2 and this in turn drives TR3 which lights the LED. The trimmer P2 is used to adjust the cut off point of the oscillator and then the potentiometer is used to compensate for changes at the time of operation of the detector. The diode D4 is there to keep the supply voltage constant and this way ensure the stable operation of the oscillator.

Electronic Diagram



Parts List

All components including printed circuit board, assembly instructions including schematics and detailed parts list are supplied when you purchase the kit.

Ordering

For pricing info and online ordering please visit:

<http://www.quasarelectronics.com/1022.htm>

For further info please contact us by e-mail:

[mailto: sales@QuasarElectronics.com](mailto:sales@QuasarElectronics.com)

COPYRIGHT © 2003 Quasar Electronics Limited. All rights reserved. Reproduction of this document in whole or in part in any form or medium without express written permission of Quasar Electronics Limited is prohibited.

E&OE